

Product Catalog



FLANGED FITTINGS

Effective Date
April 1 2002

PO Box 369, 309 North Highway Street, Oakland, Iowa 51560-0369
PHONE: (712) 482-6416 FAX: (800) 358-0666



PO Box 369, 309 N Hwy St. / Oakland, Iowa 51560 / Phone 712-482-6416 / Fax 800-358-0666

TERMS AND CONDITIONS OF SALE

TERMS OF PAYMENT: Two percent discount if paid within 10 days, net due 30 days from date of invoice on approved credit. The maximum legal interest rate will be charged on amounts past due.

SHIPMENT TERMS: F.O.B. shipping point. Freight will be prepaid and added to the invoice. Routing will be at the shipper's discretion.

RETURN GOODS: Materials may not be returned without authorization. A return authorization number must accompany the return shipment. A 25% minimum restocking charge will be applied to all returns. Orders for nonstandard items may not be cancelled or returned.

PRICE CHANGES: Prices are subject to changes without notice.

WARRANTY

Seller warrants all products for one year from the date of shipment. All products to be free from defects in material and workmanship when used for the purpose and in the manner which the seller recommends. If seller's examination determines to seller's satisfaction that the product is defective, the seller may repair or replace the defective product. No allowance will be made for labor or expense of repairing defective product or damage resulting from the same. Seller warrants the products sold which are made by other manufacturers to the extent of the warranty of the other manufacturers. Seller makes no other warranty of any kind, expressed or implied.

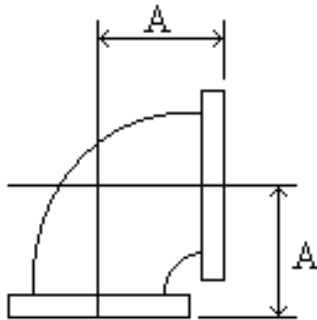
MADE IN THE USA

INDEX

90° Elbow	1
45° Elbow	1
Tapered Reducing Elbow	2
Straight Long Radius Elbow	2
Reducing Long Radius Elbow	3
Base Elbow	3
Side Outlet Elbow	3
True Y	4
Straight Tee	4
Reducing Tee	5
Cross	7
Lateral	7
Concentric Reducer	8
Eccentric Reducer	8

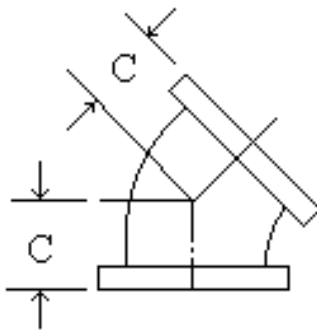
FLANGED ELBOW

Effective April 1, 2002



A: center to face
Fig. I801

90 Degree Straight Elbow Fig. I801				
Size	A	Diameter of Flange	Weight Each	
1.5	4	5	9	
2	4.5	6	14	
2.5	5	7	19	
3	5.5	7.5	24	
3.5	6	8.5	31	
4	6.5	9	41	
5	7.5	10	52	
6	8	11	68	
8	9	13.5	110	
10	11	16	175	
12	12	19	250	
14 O.D.	14	21	350	
16 O.D.	15	23.5	470	
18 O.D.	16.5	25	580	



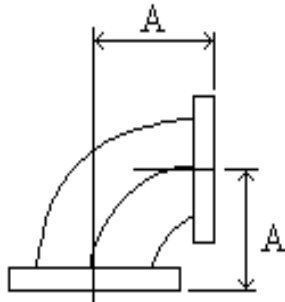
C: center to face
Fig. I802

45 Degree Straight Elbow Fig. I802				
Size	C	Diameter of Flange	Weight Each	
1.5	2.25	5	8	
2	2.5	6	12	
2.5	3	7	17	
3	3	7.5	20	
3.5	3.5	8.5	27	
4	4	9	36	
5	4.5	10	45	
6	5	11	60	
8	5.5	13.5	94	
10	6.5	16	145	
12	7.5	19	220	
14 O.D.	7.5	21	270	
16 O.D.	8	23.5	360	
18 O.D.	8.5	25	420	

- Fabricated steel fittings.
- Sizes and dimensions are in inches. Weights are in pounds.
- All fittings are available with galvanized finish.
- MADE IN THE U.S.A.

FLANGED ELBOW

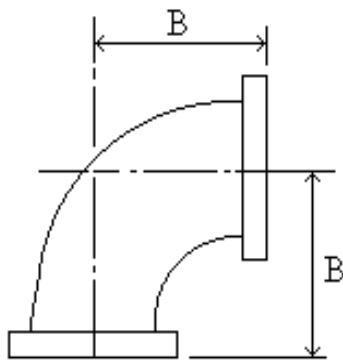
Effective April 1, 2002



A: center to face

Fig. I803

Taper Reducing Elbow Fig I803				
Size		A	Weight Each	
2	1.5	4.5	12	
2.5	2	5	18	
3	2.5	5.5	22	
	2		19	
4	3	6.5	33	
	2.5		31	
5	2	7.5	29	
	4		48	
6	3	8	40	
	5		60	
8	4	9	56	
	5		47	
	4		77	
10	6	11	90	
	8		82	
12	4	12	77	
	6		150	
	8		125	
14	6	14	220	
	8		190	
	6		165	
16	12	15	320	
	12		380	



B: center to face

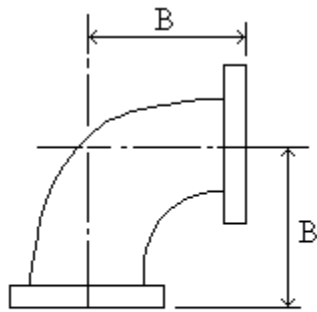
Fig. I804

Long Radius Elbow - Straight Fig. I804				
Size	B	Diameter of Flange	Weight Each	
2	6.5	6	16	
2.5	7	7	23	
3	7.75	7.5	28	
4	9	9	48	
5	10.25	10	62	
6	11.5	11	85	
8	14	13.5	145	
10	16.5	16	230	
12	19	19	350	
14 O.D.	21.5	21	470	
16 O.D.	24	23.5	670	

- Fabricated steel fittings.
- Sizes and dimensions are in inches. Weights are in pounds.
- All fittings are available with galvanized finish.
- MADE IN THE U.S.A.

FLANGED ELBOW

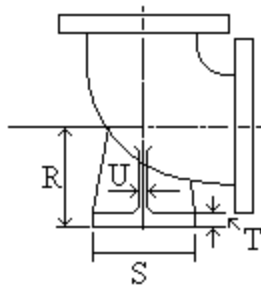
Effective April 1, 2002



B: center to face
Fig. I804R

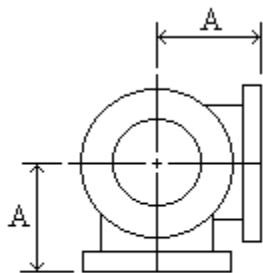
Long Radius Elbow - Reducing Fig. I804R				
Reducing Size		B	Weight Each	
3	2.5	7.75	26	
	2		23	
4	3	9	46	
5	4	10.25	58	
6	5	11.5	81	
	4		78	
8	6	14	130	
	5		118	
10	8	16.5	205	
12	10	19	320	

Fig. I805



Base Elbow, Fig. I805

Size	R	Weight Each	
3	4 7/8	36	
4	5 1/2	59	
5	6 1/4	76	
6	7	110	
8	8 3/8	158	
10	9 3/4	224	
12	11 1/4	324	



A: center to face
Fig. I808

Side Outlet Elbow, Fig. I808

Size	A	Diameter of Flange	Weight Each	
4	6.5	9	59	
5	7.5	10	74	
6	8	11	96	
8	9	13.5	150	
10	11	16	240	
12	12	19	340	

- Fabricated steel fittings.
- Sizes and dimensions are in inches. Weights are in pounds.
- All fittings are available with galvanized finish.
- MADE IN THE U.S.A.

FLANGED TRUE Y/STRAIGHT TEE

Effective April 1, 2002

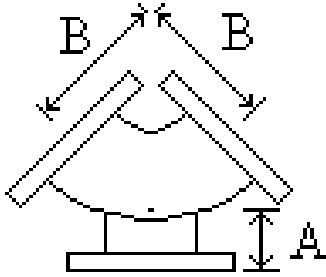
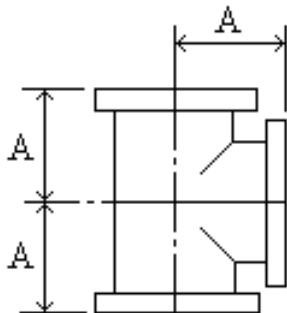


Fig. I810

True Y, Fig. I810					
Size	A	B	Diameter of Flange	Weight Each	
4	3	6.5	9	60	
6	3.5	8	11	101	
8	4.5	9	13.5	154	



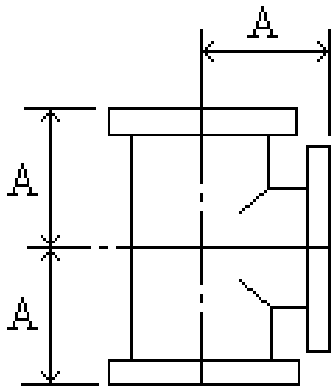
A: center to face
AA: face to face
Fig. I811

Straight Tee, Fig I811					
Size	A	AA	Diameter of Flange	Weight Each	
1.5	4	8	5	15	
2	4.5	9	6	21	
2.5	5	10	7	30	
3	5.5	11	7.5	37	
3.5	6	12	8.5	49	
4	6.5	13	9	64	
5	7.5	15	10	81	
6	8	16	11	105	
8	9	18	13.5	165	
10	11	22	16	270	
12	12	24	19	380	
14 O.D.	14	28	21	530	
16 O.D.	15	30	23.5	700	
18 O.D.	16.5	33	25	860	

- Fabricated steel fittings.
- Sizes and dimensions are in inches. Weights are in pounds.
- All fittings are available with galvanized finish.

FLANGED REDUCING TEE

Effective April 1, 2002



A: center to face

AA: face to face

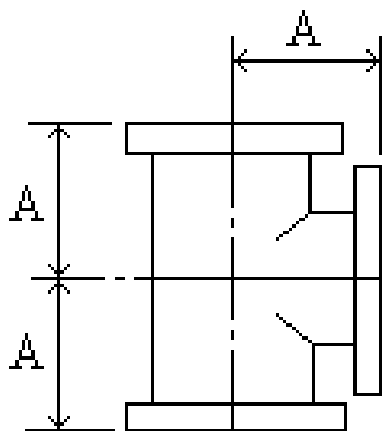
Fig. I812

Reducing Tee, Fig I812					
Size			Weight Each		
2	2	1.5	19		
2.5	2.5	2	28		
3	2	3	33		
		2	29		
	2.5	3	35		
3	3	2.5	34		
		2	34		
	1.5	32			
2.5	2.5	3	34		
4	4	3	57		
		2.5	56		
		2	51		
	3	1.5	50		
		3	53		
	4	59			
4	2.5	4	56		
		3	51		
	2.5	49			
2	4	50			
3	3	4	56		
5	4	5	80		
		4	73		
	5	4	80		
		3	71		
		2.5	66		
2	64				
4	4	5	71		
6	6	5	105		
		4	97		
		3	92		
		2.5	90		
		2	86		
	5	5	102		
		4	91		
	4	4	6	94	
			4	88	
		3	86		
	3	6	4	91	
4			85		
3		80			
2	6	83			

- Fabricated steel fittings.
- Sizes and dimensions are in inches. Weights are in pounds.
- All fittings are available with galvanized finish.
- MADE IN THE U.S.A.

FLANGED REDUCING TEE

Effective April 1, 2002



A: center to face

AA: face to face

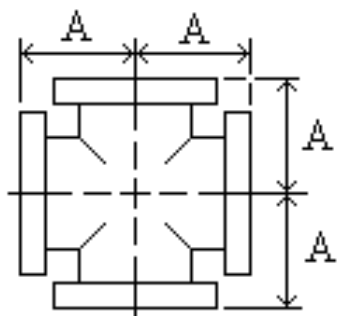
Fig. I812

Reducing Tee, Fig. I812					
Size			Weight Each		
5	5	6	102		
4	4		88		
8	8	6	156		
		5	149		
		4	143		
		3	140		
	6	6	8	159	
			6	144	
			5	130	
			4	125	
			3	123	
			5	8	149
10	10	8	262		
		6	240		
		5	235		
		4	225		
		3	218		
	8	8	10	262	
			8	232	
			6	220	
	6	6	342		
	8	8	10	235	
12	12	10	362		
		8	330		
		6	323		
		5	295		
		4	291		
	10	10	12	365	
			10	340	
			8	320	
	8	8	6	310	
			12	340	
8	8	8	298		
8	8	12	275		
10	10	12	340		
14	14	8	446		

- Fabricated steel fittings.
- Sizes and dimensions are in inches. Weights are in pounds.
- All fittings are available with galvanized finish.
- MADE IN THE U.S.A.

FLANGED CROSS/LATERAL

Effective April 1, 2002



A: center to face

AA: face to face

Fig. I821

Cross, Fig. I821					
Size	A	AA	Diameter of Flange	Weight Each	
2	4.5	9	6	28	
2.5	5	10	7	39	
3	5.5	11	7.5	48	
4	6.5	13	9	82	
5	7.5	15	10	105	
6	8	16	11	135	
8	9	18	13.5	210	
10	11	22	16	330	
12	12	24	19	470	

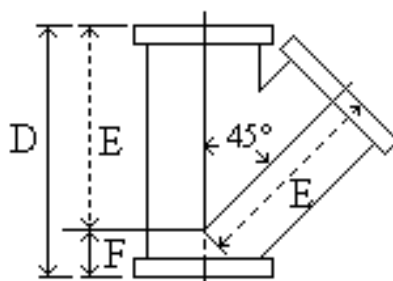


Fig. I823

Lateral, Fig. I823						
Size	D	E	F	Diameter of Flange	Weight Each	
2	10.5	8	2.5	6	25	
2.5	12	9.5	2.5	7	36	
3	13	10	3	7.5	44	
4	15	12	3	9	75	
5	17	13.5	3.5	10	96	
6	18	14.5	3.5	11	125	
8	22	17.5	4.5	13.5	210	
10	25.5	20.5	5	16	340	
12	30	24.5	5.5	19	520	

- Fabricated steel fittings.
- Sizes and dimensions are in inches. Weights are in pounds.
- All fittings are available with galvanized finish.
- MADE IN THE U.S.A.

FLANGED REDUCER

Effective April 1, 2002

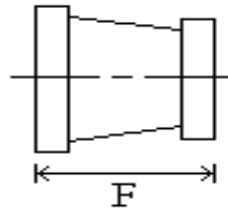


Fig. I825

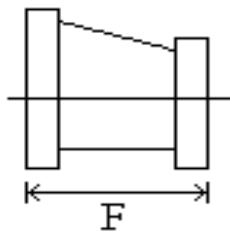


Fig. I826

Eccentric Reducer, Fig. I826				
Size		F	Weight Each	
3	2.5	6	22	
	2		16	
4	3	7	28	
	2.5		28	
	2		28	
5	4	8	39	
6	5	9	51	
	4		50	
	3		47	
8	6	11	77	
	5		76	
	4		71	
10	8	12	120	
	6		107	
12	10	14	180	
	8		155	

Concentric Reducer, Fig. I825				
Size		F	Weight Each	
2	1.5	5.5	12	
	2		14	
2.5	1.5	5.5	12	
	2		16	
3	1.5	6	14	
	2		16	
	2.5		19	
3.5	3	6.5	24	
	3		24	
4	3.5	7	31	
	3		28	
	2.5		26	
	2		24	
5	4	8	39	
	3		32	
	2.5		31	
6	5	9	50	
	4		47	
	3		39	
	2.5		37	
	2		34	
8	6	11	77	
	5		71	
	4		66	
10	8	12	120	
	6		100	
	5		90	
	4		85	
12	10	14	180	
	8		155	
	6		140	
14	12	16	250	
	10		220	
	8		200	
	6		185	
16	14	18	340	
	12		310	
	10		280	

- Fabricated steel fittings.
- Sizes and dimensions are in inches. weights are in pounds; prices are in U.S. dollars.
- All fittings are available with galvanized finish. Multiply price by 1.55 to determine galvanized list price.
- MADE IN THE U.S.A.